



Custom Service & Design, Inc.

P.O. Box 214923
AUBURN HILLS, MI 48321

PHONE: 248.340.9005
FAX: 248.340.9002

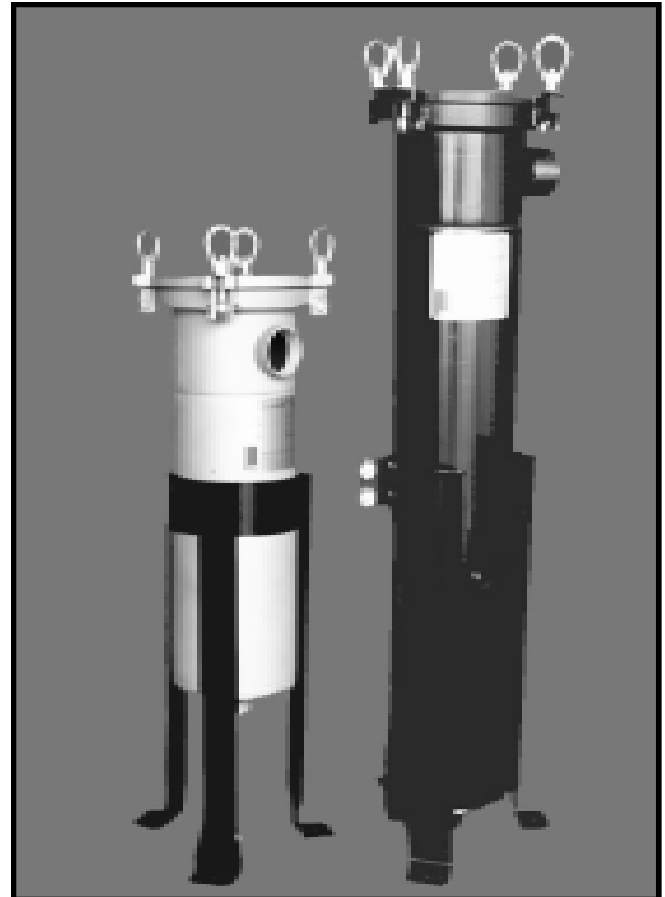
07A
BULLETIN: 07A4L-10

OEM BAG VESSEL DESIGN

CSD's EXCLUSIVE OEM BAG VESSEL IS SETTING NEW STANDARDS IN THE FILTRATION INDUSTRY:

- ⇒ UTILIZING STANDARD BAG SIZES (P1S & P2S) MAINTAINING 150 PSI RATING
- ⇒ OUR 07A BAG VESSEL, DESIGNED & MANUFACTURED BY **CSD**, OFFERS INNOVATIVE TECHNOLOGY & EXCEPTIONAL QUALITY.

CSD CONSISTENTLY OFFERS THE BEST FILTRATION PRODUCTS AVAILABLE TODAY.

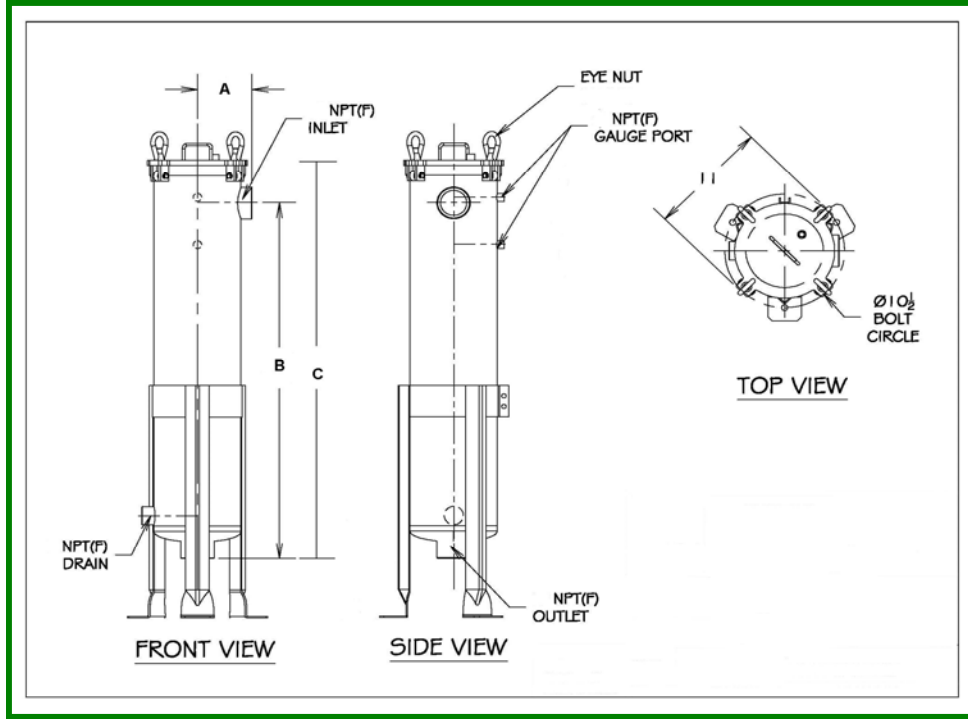


STANDARD FEATURES:

- ⇒ CARBON STEEL; 304L STAINLESS STEEL
- ⇒ STAINLESS STEEL RESTRAINER BASKET
- ⇒ 150 PSI @ 300°F
- ⇒ 4 LUG LID HOLD DOWN
- ⇒ GAUGE, VENT, DRAIN PORTS
- ⇒ 2" NPT CONNECTIONS
- ⇒ SIDE INLET / BOTTOM OUTLET
- ⇒ BUNA / EPDM SEALS
- ⇒ TRIPOD LEGS (ADJUSTABLE)

OPTIONS:

- ⇒ ADDITIONAL INLET & OUTLET SIZES
- ⇒ INLET, OUTLET LOCATION
- ⇒ FLANGED, VICTAULIC, SANITARY CONNECTIONS
- ⇒ MANUAL / AUTOMATIC DUPLEXING
- ⇒ RESTRAINER BASKET PERFORATION / MESH SIZES
- ⇒ O'RING / SEAL MATERIAL
- ⇒ BAG HOLD DOWN ASSEMBLY
- ⇒ SPECIALTY VESSELS



VESSEL	SIZE	A	B	C
07A-15	2" NPT	5 1/4"	20 3/8"	24 1/2"
07A-30	2" NPT	5 1/4"	33 3/4"	37 3/4"

BUILDING A CSD PART NUMBER

0	07A	01	30	4L	020	N	1	B	C
TYPE	VESSEL SIZE	# OF BASKETS / ELEMENTS	BASKET LENGTH	# OF LUGS	CONNECTION SIZE	CONNECTION STYLE	IN / OUT LOCATION	SEALS	CONSTRUCTION



CSD Custom Service & Design, Inc.

AUBURN HILLS, MI
PHONE: 248.340.9005
FAX: 248.340.9002

DISTRIBUTED BY:

