



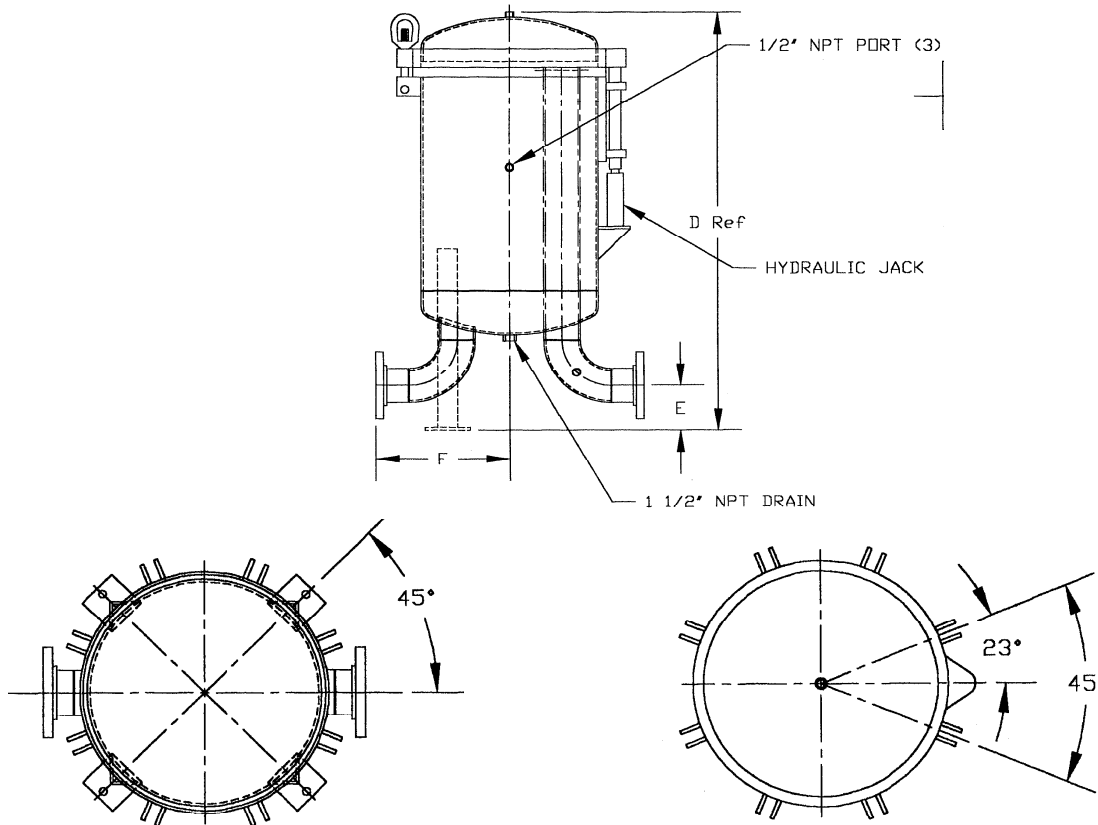
Custom Service & Design, Inc.

P.O. Box 214923
AUBURN HILLS, MI 48321

PHONE: 248.340.9005
FAX: 248.340.9002

WWW.CUSTOMSERVICEANDESIGN.COM

**MULTI-BAG VESSEL SPECIFICATION
BULLETIN: 3008-10**



MODEL	NUMBER OF BAGS	INLET & OUTLET	STRAINING AREA / SQ. FT.	MAXIMUM FLOW GPM	D	E	F	APPROX WT.
3008	8	6"	35.2	1600	62.4	7	22.2	705
3008	8	8"	35.2	1600	66.9	8.25	25.7	850

STANDARD FEATURES:

- ⇒ CARBON STEEL
- ⇒ 304 STAINLESS STEEL
- ⇒ 316 STAINLESS STEEL
- ⇒ STAINLESS STEEL RESTRAINER BASKETS
- ⇒ 150 P.S.I.
- ⇒ VENT PORTS
- ⇒ GAUGE PORTS
- ⇒ BOTTOM DRAIN PORT
- ⇒ BUNA / EPDM O RING/SEALS
- ⇒ BUILT TO ASME STANDARDS

OPTIONS:

- ⇒ O RING / SEAL MATERIAL
- ⇒ INLET / OUTLET LOCATIONS
- ⇒ DUPLEX
- ⇒ VARIOUS RESTRAINER BASKETS

