



Custom Service & Design, Inc.

P.O. Box 214923
AUBURN HILLS, MI 48321

PHONE: 248.340.9005
FAX: 248.340.9002

**TANK MOUNT 07A
BULLETIN: TM07A-07**

TANK MOUNT: 07A MODEL

CSD's EXCLUSIVE 07A IS AVAILABLE IN A TANK MOUNT DESIGN

- ⇒ UTILIZING STANDARD BAG SIZES (P1S & P2S) THIS MODEL MAINTAINS HIGH FLOW RATES.
- ⇒ THE 07A TANK MODEL, DESIGNED & MANUFACTURED BY **CSD**, OFFERS INNOVATIVE TECHNOLOGY & EXCEPTIONAL QUALITY.

CSD IS SETTING NEW STANDARDS IN THE FILTRATION INDUSTRY; CONSISTENTLY OFFERING THE BEST PRODUCTS AVAILABLE TODAY.

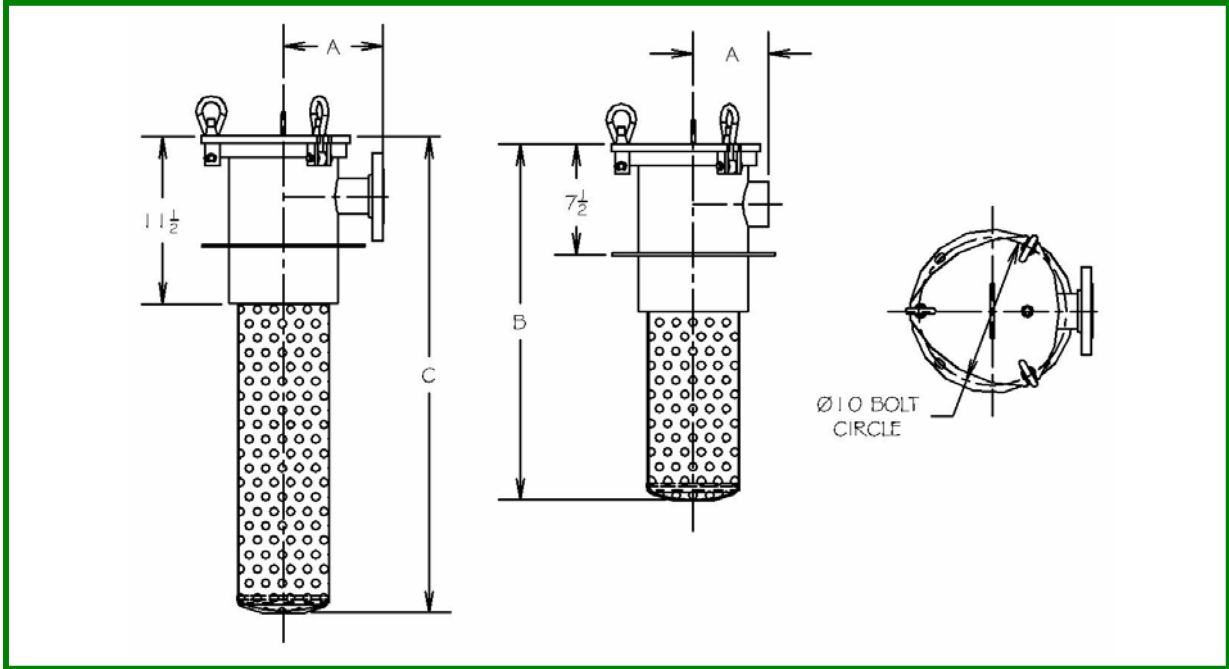


STANDARD FEATURES:

- ⇒ CARBON STEEL; 304L STAINLESS STEEL
- ⇒ 3 LUG LID HOLDOWN
- ⇒ VENT
- ⇒ 2" NPT CONNECTIONS
- ⇒ SIDE INLET
- ⇒ BUNA / EPDM SEALS
- ⇒ POSITIVE BAG SEAL
- ⇒ STANDARD #1 OR #2 BAGS
- ⇒ STAINLESS STEEL PERFORATED BASKETS

OPTIONS:

- ⇒ INLET & OUTLET SIZES &/OR LOCATIONS
- ⇒ INLET, OUTLET STYLES
- ⇒ FLANGED, VICTAULIC, SANITARY CONNECTIONS
- ⇒ O'RING / SEAL MATERIAL
- ⇒ BAG HOLD DOWN ASSEMBLY
- ⇒ SPECIALTY MATERIALS OF CONSTRUCTION
- ⇒ MAGNETS & CAGES
- ⇒ SPECIALTY ELEMENTS & SOFTWARE



HOUSING / ELEMENT LENGTH	PORT	A	B	C
TM07A-15	2" NPT	5	17	N/A
	2" Flange	6 3/4	17	N/A
TM07A-30	2" NPT	5	N/A	32
	2" Flange	6.3/4	N/A	32
			B = #1 Basket	C = #2 Basket

BUILDING A CSD PART NUMBER

TM	07A	01	15	3L	020	N	1	B	4
TYPE	VESSEL SIZE	# OF BASKETS / ELEMENTS	ELEMENT LENGTH	# OF LUGS	CONNECTION SIZE	CONNECTION STYLE	IN / OUT LOCATION	SEALS	CONSTRUCTION



CSD Custom Service & Design, Inc.

AUBURN HILLS, MI
 PHONE: 248.340.9005
 FAX: 248.340.9002

DISTRIBUTED BY: